

FLP series

Coaxial Connectors

Outline

The FLP series are small-sized SMP and push-on lock type coaxial connectors complying with the MIL-STD-348A standard.

Features

- These push-on lock type coaxial connectors can be used for optical communications systems, which are required to be used in high density and in high frequency bands, and can be used for high-capacity and high-speed transmission systems.
- The sizes of SMP and MMCX connectors are the same. However, the rated frequency for SMP connectors is DC - 40GHz.
- Hermetic type receptacles are also available, which support applications requiring tight gas.
- Applicable standard: MIL-STD-348A (Compatible with GPO™ of Gilbert Ltd.)

Principal Applications

Optical communications equipment, electronic measuring machines, electronic communication equipment, etc.

Document Disclaimer

- When placing orders with us, minimum order quantities are set for every product.
- Be sure to contact us before starting preliminary design of PCBs using our connectors.
- The specifications and information shown in the catalog are subject to change without notice.

Specifications

Item		Specification
Electrical	Impedance	50 ohms
	Rated frequency	DC to 40.0GHz (Straight)
		DC to 26.5GHz (Right-angle)
	Rated voltage	335V (r.m.s.)
	Voltage standing wave ratio	1.5 Max. at DC to 40GHz (Straight)
	Insulation resistance	5000M ohms Min. at DC 500V (r.m.s.)
	Dielectric withstanding voltage	AC 500V
Contact resistance	Central contact	6m ohms Max.
	Outer surface of contact	2m ohms Max.
Mechanical	Engagement force	66N Max. (Full Detent Type)
	Disengagement force	23N Min. (Full Detent Type)
	Durability	100 Cycles Min. (Full Detent Type)
	Temperature range	-65 to +165°C

Materials and Plating

Part Name	Material	Plating
Shell	Kovar, Stainless steel, Copper alloy	Gold plate
Center contact	Kovar, Copper alloy	Gold plate
Insulator	Four-fluoride resin, Glass, PEEK resin	—

Product List



Straight cable Jack
FLP-SPF1
FLP-SPF2

K-50
FLP series...4



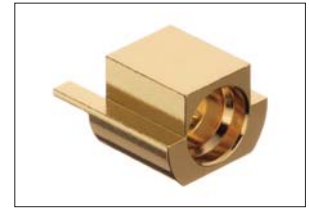
Right-angle cable Jack
FLP-LPF1
FLP-LPF2

K-50
FLP series...4



Hermetic-seal full shroud
FLP-SRMF1
FLP-SRML1

K-50
FLP series...4



PCB edge mount receptacle
FLP-SRML2

K-50
FLP series...4



PCB surface mount receptacle
FLP-SRML3

K-51
FLP series...5




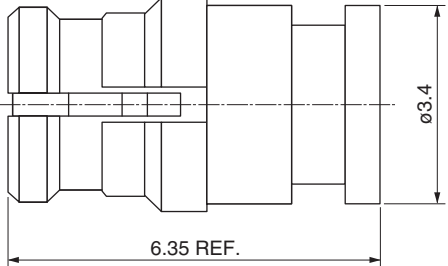

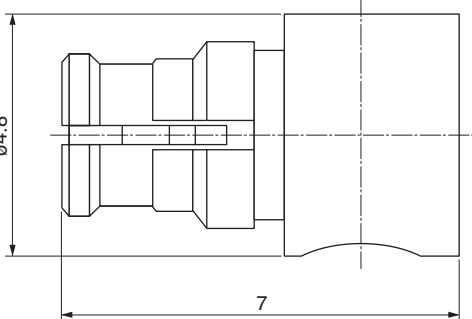

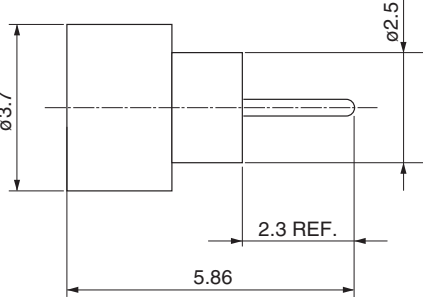

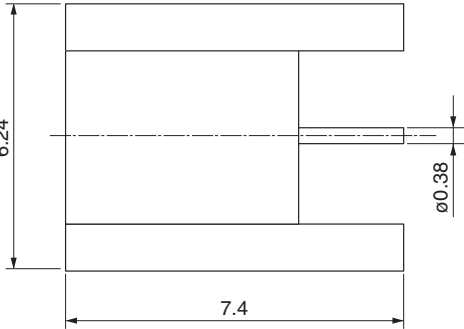
Panel mount receptacle
FLP-SRML4

K-51
FLP series...5



SMP(J)-SMP(J) adaptor
FLP-SA1

K-51
FLP series...5


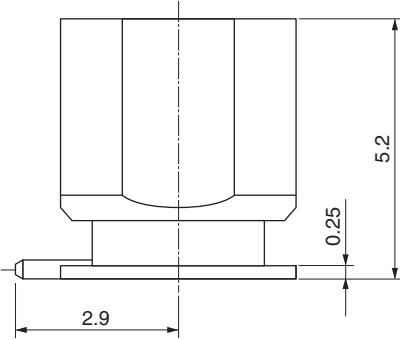

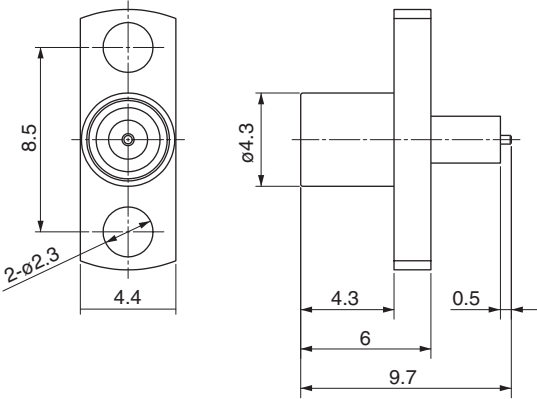

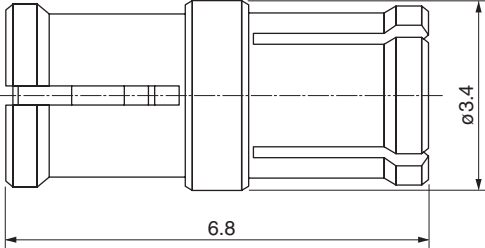
		<p>Straight cable Jack</p> <p>FLP-SPF1 (For 0.085-inch cable) FLP-SPF2 (For 0.047-inch cable)</p>
		<p>Right-angle cable Jack</p> <p>FLP-LPF1 (For 0.085-inch cable) FLP-LPF2 (For 0.047-inch cable)</p>
		<p>Hermetic-seal full shroud</p> <p>FLP-SRMF1 (Full detent type) FLP-SRML1 (Limited detent type)</p>
		<p>PCB edge mount receptacle</p> <p>FLP-SRML2 (Limited detent type)</p>

SMP connector

Coaxial connector

Conforming to MIL-STD-348A

RoHS

		<p>PCB surface mount receptacle</p> <p>FLP-SRML3 (Limited detent type)</p>
		<p>Panel mount receptacle</p> <p>FLP-SRML4 (Limited detent type)</p>
		<p>SMP(J)-SMP(J) adaptor</p> <p>FLP-SA1</p>