

FLX series

Ultra-Compact Coaxial Connectors

Outline

- FLX series connectors are snap-on type ultra-compact coaxial connectors, compatible with "MMCX connectors" used in Europe and America.

Features

- Plug connectors are available in two types: for use on cables, and for mounting on printed circuit boards (PCBs). For use with cables, two types: RG-188A/U and RG-178B/U are available. These plug connectors are assembled with appropriate cables and supplied by HONDA.
- Jack connectors are available in three types: surface mount (SMT), slide mount, and PCB Through hole designed specially for mounting on PCBs. Male and female convertible adaptors with SMA male screws on opposite ends are available.
- Electrical characteristics: Voltage standing wave ratio (VSWR) is 1.2 or less at frequency ranges up to 6 GHz.

Document Disclaimer

- When placing orders with us, minimum order quantities are set for every product.
- Be sure to contact us before starting preliminary design of PCBs using our connectors.
- The specifications and information shown in the catalog are subject to change without notice.

Specifications

Item	Specification
Characteristic impedance	50 ohms
Dielectric withstanding voltage	500V AC for up to one minute
Insulation resistance	Over 500 megohms (at 500V DC)
Contact resistance	10 milliohms or less
Frequency range	DC to 6 GHz
Temperature range	-40 to +85 °C

Materials and Plating

Part Name	Material	Plating
Shell	Brass	Gold plate
Contact	Beryllium copper	Gold plate
Insulator	Fluoride resin	–
Ring	Beryllium copper	Gold plate
Ferrule	Brass	Gold plate

Product List



SMA(J)-MMCX(J)
convertible adaptor
FLX-SA1+

K-56
FLX series...4



SMA(J)-MMCX(P)
convertible adaptor
FLX-SA2+

K-56
FLX series...4



Right-angle plug
FLX-LPM2+

K-57
FLX series...5



Right-angle plug
FLX-LPM3+

K-57
FLX series...5



Right-angle plug
FLX-LPM4+

K-57
FLX series...5



Plug receptacle
FLX-SRM1+

K-58
FLX series...6



Jack receptacle
FLX-SRF2+

K-59
FLX series...7



Jack receptacle
FLX-SRF3+

K-59
FLX series...7


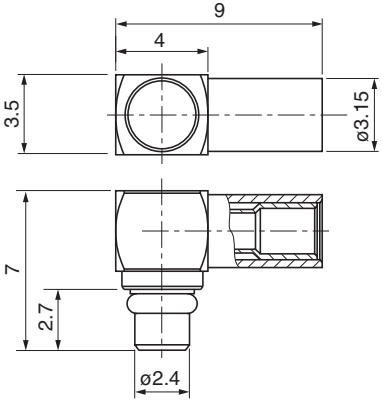

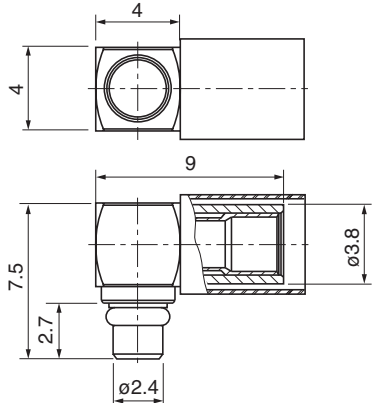

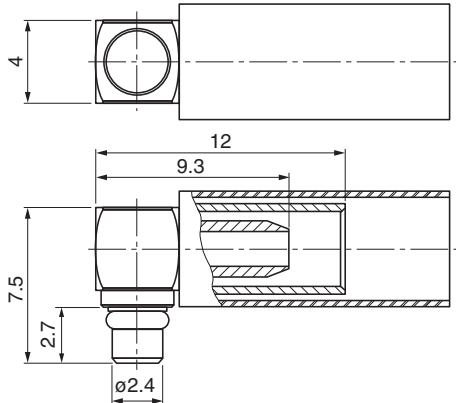


Jack receptacle
FLX-SRF4+

K-59
FLX series...7

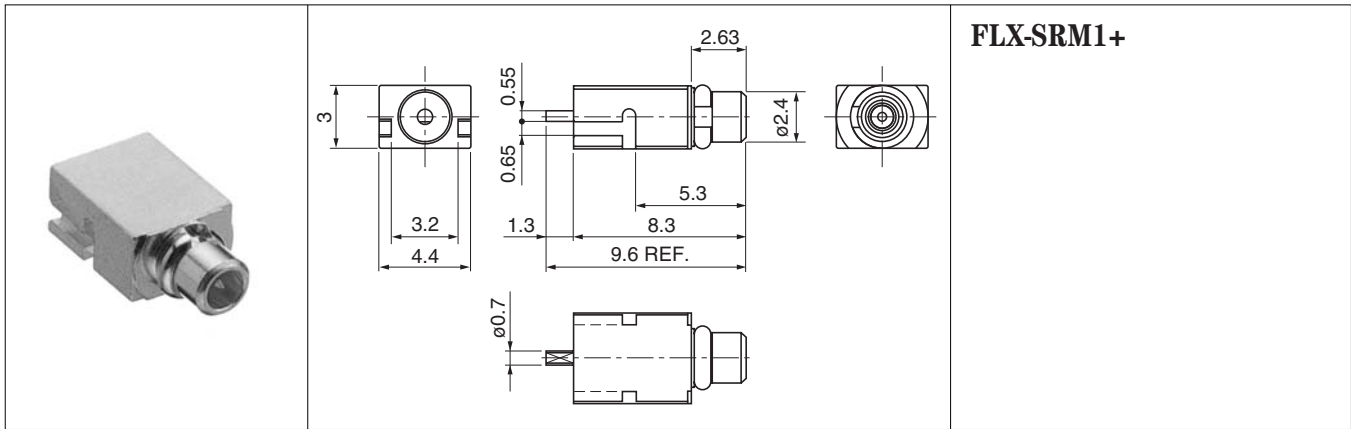
FLX Series of Right-angle Plug

RoHS

		<p>FLX-LPM2+</p> <p>For use with cable: RG-178 B/U</p>
		<p>FLX-LPM3+</p> <p>For use with cable: RG-188 A/U</p>
		<p>FLX-LPM4+</p> <p>For use with cable: 1.5D-2V</p>


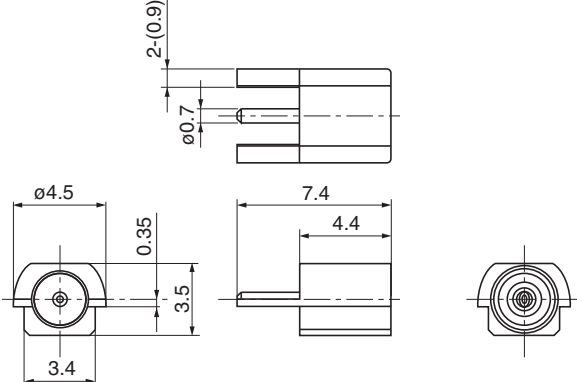

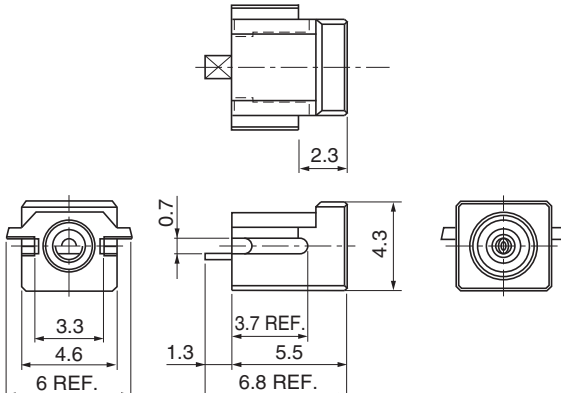

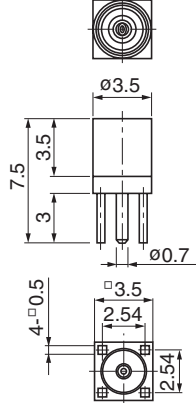
FLX Series of Plug Receptacle

RoHS



FLX Series of Jack Receptacle

RoHS

		<p>FLX-SRF2+</p>
		<p>FLX-SRF3+</p>
		<p>FLX-SRF4+</p>